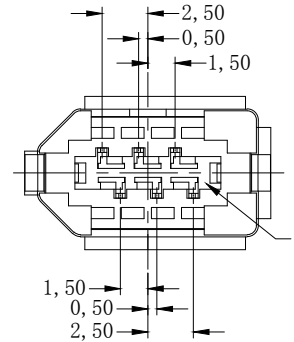
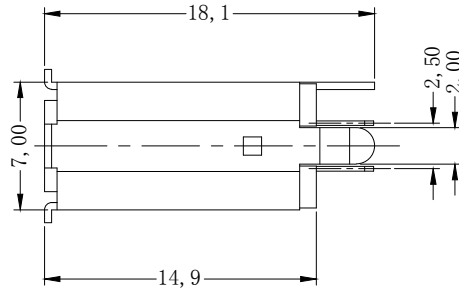
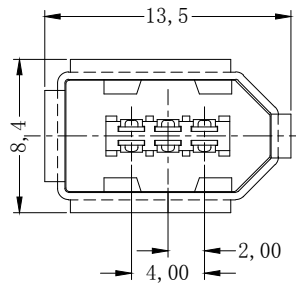


HSF



ROHS



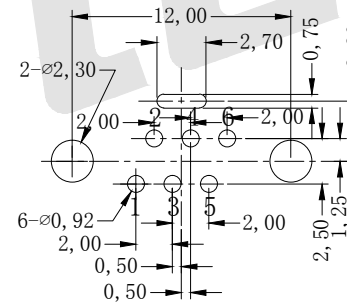
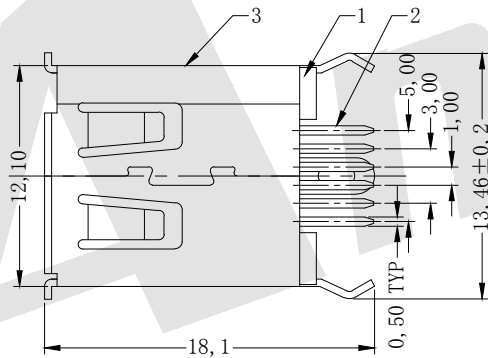
Specifications:

Current Rating: 1.5A Max
 Contact Resistance: 50 milliohms MAX
 Dielectric Withstanding Voltage: 500V AC AT Sea Level
 Insulation Resistance: 500 Megohms MIN
 Operating Temperature: -20° C to +85° C
 Housing: Temperature Thermoplastics, LCP UL 94V-0
 Contact: Copper Alloy T=0.20mm Plated Gold in Mating Area; Tin On Solder Talls
 Shell: Copper Alloy/Steel T=0.40mm Nickel/Plating

Ordering Code:

IEFS02 - X - X - X - X - X
 ① ② ③ ④ ⑤ ⑥

- ① Series No:
- ② Shell Material:
B: Brass I: Iron
S: stainless steel
- ③ Insulator Material:
P: PBT+30%GF
L: LCP
- ④ Contact Material:
B: Brass
P: phosphor copper
- ⑤ Contact Plating
G0: Gold flash
G1: 3u" Gold
G2: 5u" Gold
G3: 10u" Gold
G4: 15u" Gold
G5: 30u" Gold
- ⑥ Packing
A: Tray
B: Bag
C: Tube
D: Tape Reel



PCB EDGE COMPONENT SIDE (PCB LAYOUT)

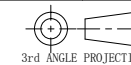
NO.	NAME	MATERIAL	FINISH	Q' TY
1	HOUSING	PBT. 30%G. L	BLACK	1
2	CONTACT	BRASS	GOLD-TIN PLATED	6
3	SHELL	BRASS	NICLEL PLATED	1
4	B-HOUSING	PBT. 30%G. L	BLACK	1

Unless Otherwise specified tolerance
 X. ±0.35 X.XX: ±0.20
 X.X: ±0.25 X.XXX: ±0.15

Antenk ANTENK ELECTRONICS CO., LTD
 Http://www.antenk.com
 E-mail:sales@antenk.com

SCALE: As Shown UNIT: mm
 DRAW Wu Feng Rong DATE 20/02/2020
 CHECK BobYang DATE 28/06/2019

TITLE:
 1394 6P Receptacle Straight Solder Type



DRAWING NO: IEFS02-XXXXX

PRODUCT NO: IEFS02-XXXXX

REV	ADD PIN NO.	DESCRIPTION	DATE
			07/04/2020